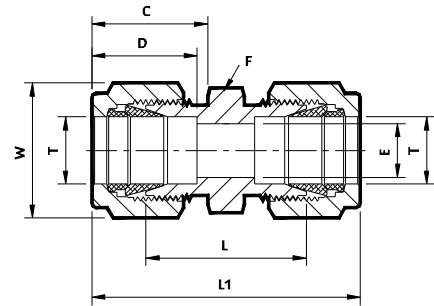
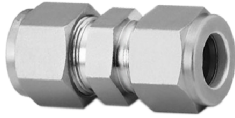


2.7 Union

01. Fractional Tube x Fractional Tube

Material - **SS 304 | SS 316**



Sr. No.	TUBE OD Ø T	Ref. Part No.		ØE	D	C	L	L1	Body Hex F	Nut Hex W
		SS 304	SS 316							
		UD4	UD6	Dimensions in Inches						
1	1/8	2UDx4	2UDx6	0.09	0.50	0.60	0.88	1.40	7/16	7/16
2	1/4	4UDx4	4UDx6	0.19	0.60	0.70	1.03	1.61	9/16	9/16
3	5/16	5UDx4	5UDx6	0.25	0.64	0.73	1.11	1.69	5/8	5/8
4	3/8	6UDx4	6UDx6	0.28	0.66	0.76	1.19	1.77	11/16	11/16
5	1/2	8UDx4	8UDx6	0.41	0.90	0.86	1.22	2.02	7/8	7/8
6	5/8	10UDx4	10UDx6	0.50	0.96	0.86	1.25	2.05	1	1
7	3/4	12UDx4	12UDx6	0.62	0.96	0.86	1.31	2.11	1.1/16	1.1/8
8	1	16UDx4	16UDx6	0.88	1.23	1.04	1.59	2.55	1.3/8	1.1/2

02. Metric Tube x Metric Tube

Material - **SS 304 | SS 316**

Sr. No.	TUBE OD Ø T	Ref. Part No.		ØE	D	C	L	L1	Body Hex F	Nut Hex W
		SS 304	SS 316							
		MUD4	MUD6	Dimensions in Millimetres						
1	3	3MUDx4	3MUDx6	2.4	12.9	15.3	35.3	35.3	11.1	11.1
2	6	6MUDx4	6MUDx6	4.8	15.3	17.7	41.0	41.0	14.2	14.2
3	8	8MUDx4	8MUDx6	6.4	16.2	18.6	43.2	43.2	16	16
4	10	10MUDx4	10MUDx6	7.9	17.2	19.5	46.2	46.2	19	19
5	12	12MUDx4	12MUDx6	9.5	22.8	22.0	51.2	51.2	22.2	22.2
6	15	15MUDx4	15MUDx6	11.9	24.4	22.0	52.0	52.0	25.4	25.4
7	16	16MUDx4	16MUDx6	12.7	24.4	22.0	52.0	52.0	25.4	25.4
8	18	18MUDx4	18MUDx6	15.1	24.4	22.0	53.5	53.5	27	30
9	20	20MUDx4	20MUDx6	15.9	26.0	22.0	55.0	55.0	30	32
10	25	25MUDx4	25MUDx6	21.8	31.3	26.5	65.0	65.0	35	38

- NOTE :
- ① The E Dimension is the minimum opening.
 - ② Dimension L1, C, D is shown in the finger-tight position.
 - ③ Dimensions are for reference only and are subject to change.